

Ferlin

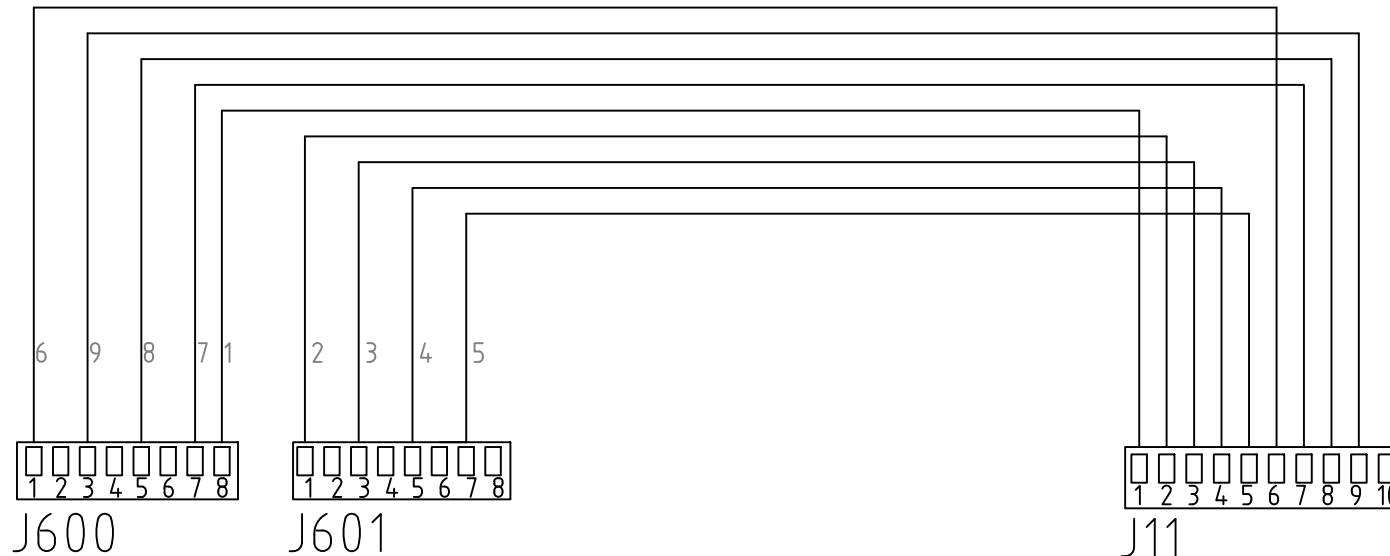
Rudolf Dieselstraat 15A
7442 DR
Nijverdalen
HOLLAND
www.ferlin.nl
+31 548 - 745 370

PROJECT: MOVAC CONTROL 8 HL 240VAC
SUBJECT: MAIN DIAGRAM

DRAWN BY: H. Wennemars
DATE: 8-4-2016
PROJECTNO.
PAGE: 1 OF: 6

DRAWING NUMBER: M-009
REVISION: 9-8-2023

A4



J11 Connector
 1=-
 2=Pump tripped (inp)
 3=Extern alarm reset (option)
 4=HL 1 Low (inp)
 5=Alarm light (out)
 6=line cleaning (out)
 7=Vacuum valve HL1 (out)
 8=Filter cleaning HL1 (out)
 9=Proportional valve HL1 (out)
 10=+

Ferlin

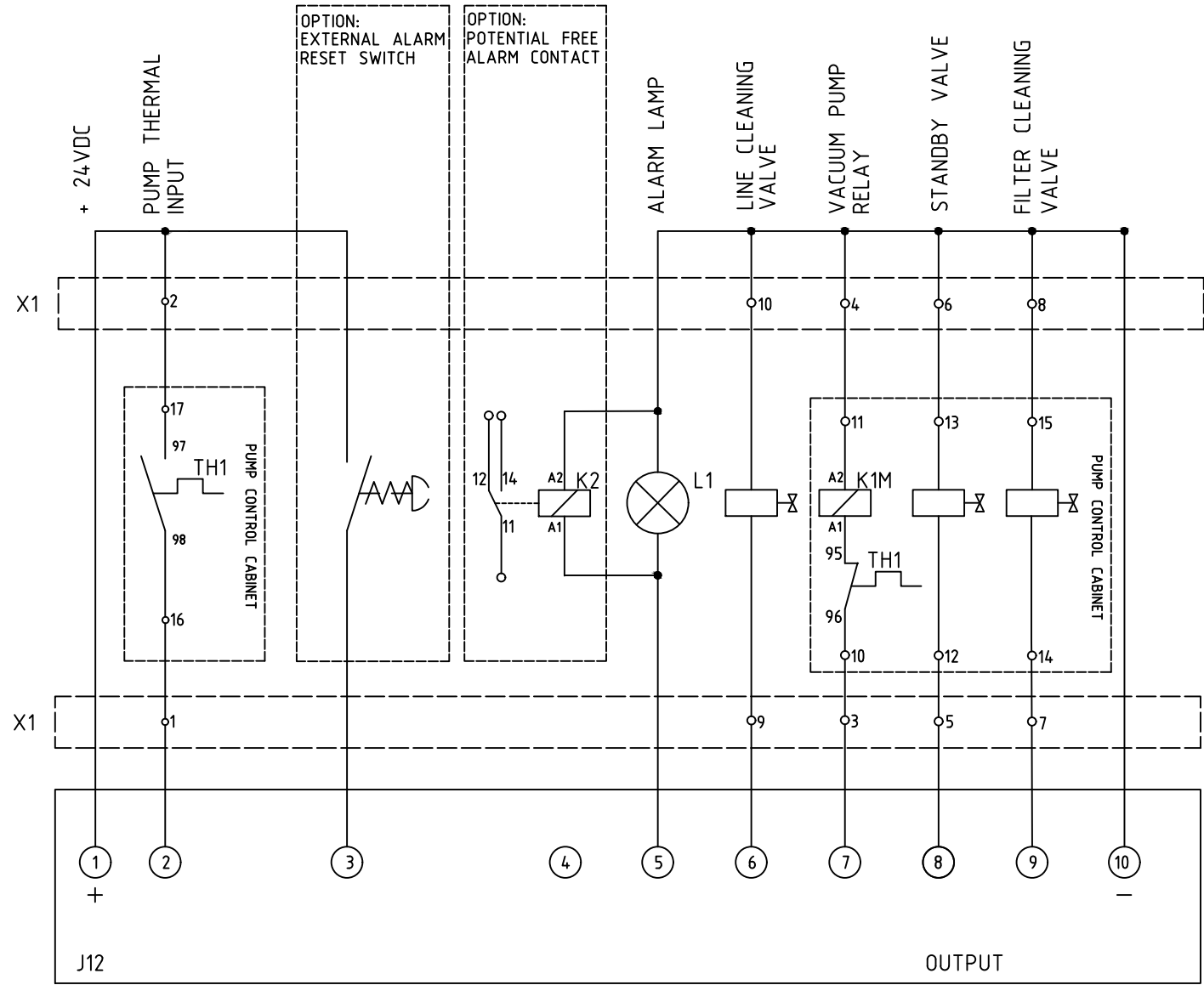
Rudolf Dieselstraat 15A
 7442 DR
 Nijverdal
 HOLLAND
 www.ferlin.nl
 +31 548 - 745 370

PROJECT:
 MOVAC CONTROL 8 HL 240VAC
 SUBJECT:
 CABLE CONTROLLER-EXPANSION

DRAWN BY: H. Wennemars
 DATE: 8-4-2016
 PROJECTNO.
 PAGE: 2 OF: 6

DRAWING NUMBER:
 M-009
 REVISION:
 9-8-2023

A4



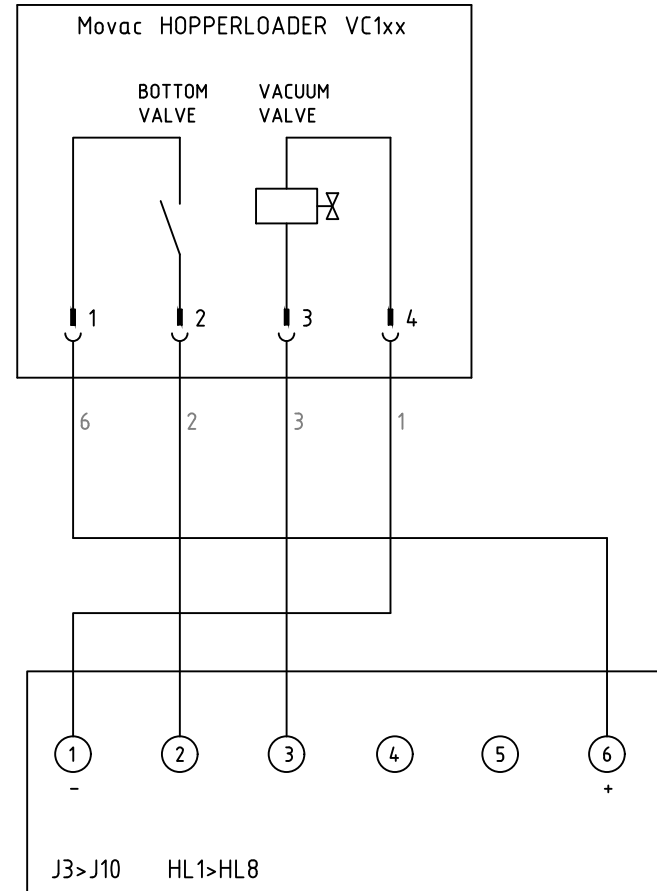
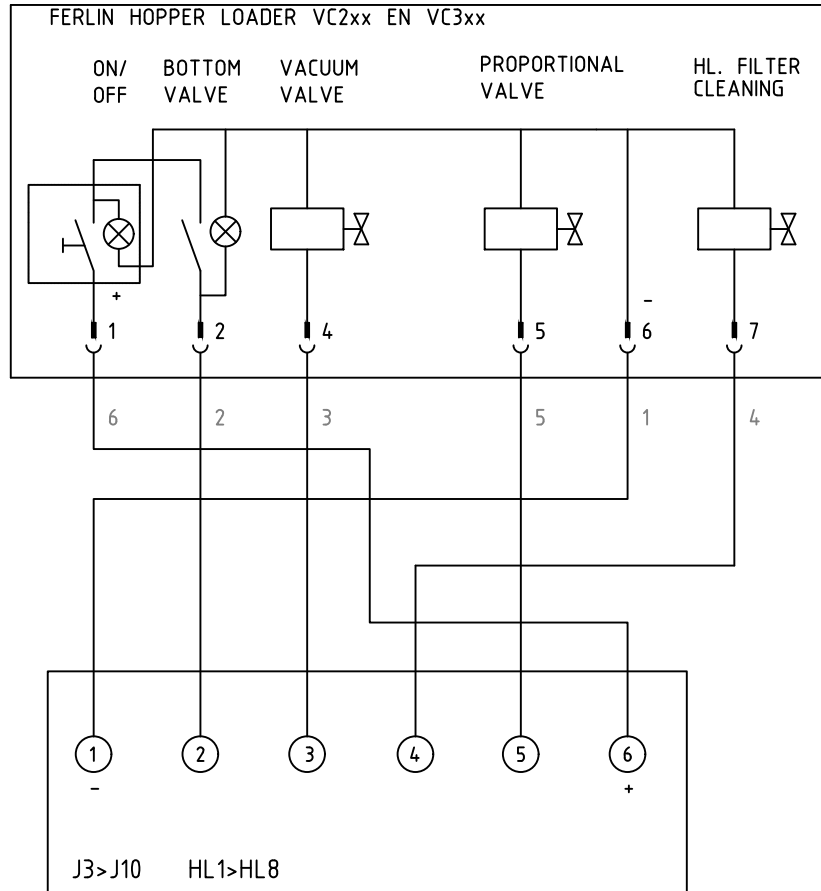
Ferlin

Rudolf Dieselstraat 15A
7442 DR
Nijverdal
HOLLAND
www.ferlin.nl
+31 548 - 745 370

PROJECT: MOVAC CONTROL 8 HL 240VAC
SUBJECT: GENERAL I/O CONNECTION

DRAWN BY: H. Wennemars
DATE: 8-4-2016
PROJECTNO.
PAGE: 3 OF: 6

DRAWING NUMBER: M-009
REVISION: 9-8-2023
A4



Ferlin

Rudolf Dieselstraat 15A
7442 DR
Nijverdal
HOLLAND
www.ferlin.nl
+31 548 - 745 370

PROJECT:

MOVAC CONTROL 8 HL 240VAC

SUBJECT:

I/O CONNECTOR HOPPER LOADER

DRAWN BY: H. Wennemars

DATE: 8-4-2016

PROJECTNO.

PAGE: 4

OF: 6

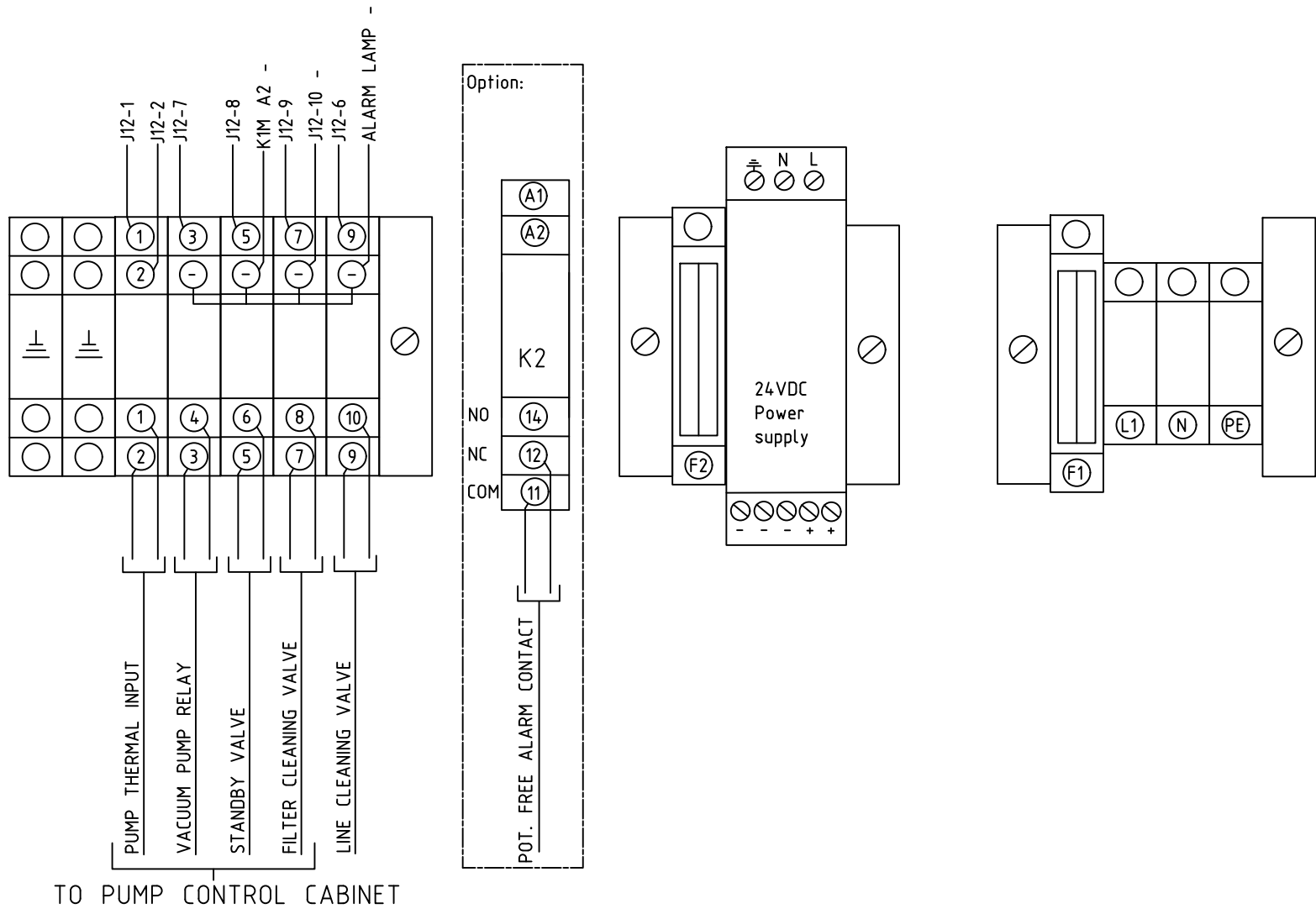
DRAWING NUMBER:

M-009

REVISION:

9-8-2023

A4



Ferlin

Rudolf Dieselstraat 15A
 7442 DR
 Nijverdal
 HOLLAND
www.ferlin.nl
 +31 548 - 745 370

PROJECT:
 MOVAC CONTROL 8 HL 240VAC
SUBJECT:
 CONNECTIONS X1

DRAWN BY: H. Wennemars
DATE: 8-4-2016
PROJECTNO.
PAGE: 5 **OF:** 6

DRAWING NUMBER:
 M-009
REVISION:
 9-8-2023

A4

POS.	QUANTITY	PART DESCRIPTION	TYPE	PART NUMBER
17				
16				
15				
14				
13				
12				
11				
10				
9				
8				
7	1	24VDC POWER SUPPLY	S8VK-G03024	04E34.03024
6	1	ALARM LAMP	LP4XMV/2	01E40.80200
5	1	MEMBRANE SWITCH FOIL	3.02.002	04E30.02002
4	1	EXPANSION I/O PCB	5.07.042	04E30.07042
3	1	MAIN PCB	5.07.041	04E30.07041
2	2	F1, F2 FUSE CLAMP	WEIDM. WSI 6	01E31.10280
1	1	MAIN SWITCH	TO-2-8900	01E31.67400
POS.	QUANTITY	PART DESCRIPTION	TYPE	PART NUMBER

Ferlin

Rudolf Dieselstraat 15A
7442 DR
Nijverdalen
HOLLAND
www.ferlin.nl
+31 548 - 745 370

PROJECT: MOVAC CONTROL 8 HL 240VAC SUBJECT: BILL OF MATERIALS PLC	DRAWN BY: H. Wennemars DATE: 8-4-2016 PROJECTNO. PAGE: 6 OF: 6	DRAWING NUMBER: M-009 REVISION: 9-8-2023
--	--	---

A4